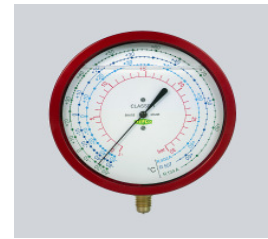




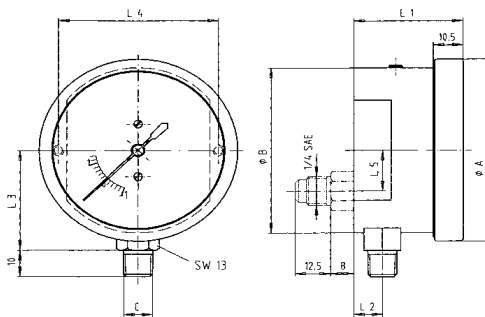
R3/5/7-MANOMETER

Metallbalg-Manometer

Manometer, hergestellt nach der Metallbalgtechnik, sind äusserst druckempfindlich und daher sehr genau (Klasse 1). Dank der Metallbalgtechnik sind diese Manometer extrem überdrucksicher, z.B. kann ein Saug-Druckmanometer mit einem Bereich von -1 bis 10 bar ohne weiteres auf 25 bar belastet werden. Der Zeiger wird sich 1/2mal um die eigene Achse drehen und nach Druckentlastung wieder auf Null zurückkehren, ohne dem Manometermechanismus irgendwelchen Schaden zuzufügen. In der Regel muss lediglich der Zeiger über die Nullpunktschraube leicht nachjustiert werden.



Merkmale	R3	R5	R7
Aussendurchmesser	60 mm	80 mm	100 mm
Anschluss	unten, 1/8"NPT	unten, 1/8"NPT	unten, 1/4"SAE
Klasse	1	1	1
Gehäuse	Aluminiumgehäuse	Aluminiumgehäuse	Aluminiumgehäuse



Typ	φ A	φ B	C	L 1	L 2	L 3	L 4	L 5
R2+R3	69.5	63	1/8 NPT 1/4 SAE	38.5	10	38	56	15.5
R4+R5	90	83	1/8 NPT 1/4 SAE	39	10.5	48	70	15.5
R6+R7	112.5	105	1/4 SAE	39	10.5	59	90	15.5

Bezeichnung	Druckskala			Temperaturskala								Best-Nr.	
	bar	kPa	psi	R12	R22	R502	R134a	R404A	R507	R407C	R410A		R744
R3-220-M-R12	●			●	●	●							9886351
R3-320-M-R12	●			●	●	●							9886352
R3-220-DS-R12	●		●	●	●	●							9886355
R3-320-DS-R12	●		●	●	●	●							9886356
R3-220-KPA-R12		●	●	●	●	●							9886424
R3-320-KPA-R12		●	●	●	●	●							9886425
R3-220-M-R134a	●						●	●	●				9886359
R3-320-M-R134a	●						●	●	●				9886360
R3-220-DS-R134a	●		●				●	●	●				9886365
R3-320-DS-R134a	●		●				●	●	●				9886366
R3-220-DS-R22	●		●		●		●	●					4458843
R3-320-DS-R22	●		●		●		●	●					4459025
R3-220-KPA-R22		●	●		●		●	●					9884531
R3-320-KPA-R22		●	●		●		●	●					9884532
R3-220-M-R407C	●						●	●		●			4409940
R3-320-M-R407C	●						●	●		●			4409958
R3-220-DS-R407C	●		●				●	●		●			4490496
R3-320-DS-R407C	●		●				●	●		●			4490500
R3-220-DS-R410A	●		●								●		4457049
R3-320-DS-R410A	●		●								●		4457057
R3-220-DS-CLIM	●		●		●				●	●			4664341
R3-320-DS-CLIM	●		●		●				●	●			4664359
R3-220-DS-CO2-30BAR	●		●									●	4682667
R3-320-DS-CO2-60BAR	●		●									●	4682676

REFCO Manufacturing Ltd.
Industriestrasse 11
CH - 6285 Hitzkirch

Telefon + 41 41 919 72 82
Telefax + 41 41 919 72 83
info@refco.ch www.refco.ch

HVAC/R
Service Products



Bezeichnung	Druckskala			Temperaturskala							Best-Nr.		
	bar	kPa	psi	R12	R22	R502	R134a	R404A	R507	R407C		R410A	R744
R5-220-M-R12	●			●	●	●							9886367
R5-320-M-R12	●			●	●	●							9886368
R5-220-DS-R12	●		●	●	●	●							9886369
R5-320-DS-R12	●		●	●	●	●							9886370
R5-220-KPA-R12		●	●	●	●	●							9886474
R5-320-KPA-R12		●	●	●	●	●							9886475
R5-220-M-R134a	●						●	●	●				9886371
R5-320-M-R134a	●						●	●	●				9886372
R5-220-DS-R134a	●		●				●	●	●				9883636
R5-320-DS-R134a	●		●				●	●	●				9883635
R5-220-DS-R22	●		●		●		●	●					4490054
R5-320-DS-R22	●		●		●		●	●					4490062
R5-220-M-R407C	●						●	●		●			9886451
R5-320-M-R407C	●						●	●		●			9886452
R5-220-DS-R407C	●		●				●	●		●			9884598
R5-320-DS-R407C	●		●				●	●		●			9884599
R5-220-M-R410A	●										●		9884918
R5-320-M-R410A	●										●		9884919
R5-220-DS-R410A	●		●								●		4505841
R5-320-DS-R410A	●		●								●		4505850
R5-220-DS-CLIM	●		●		●					●	●		4664295
R5-320-DS-CLIM	●		●		●					●	●		4664302
R5-220-DS-CO2-30BAR	●		●									●	4666297
R5-320-DS-CO2-60BAR	●		●									●	4679195

Bezeichnung	Druckskala			Temperaturskala							Best-Nr.		
	bar	kPa	psi	R12	R22	R502	R134a	R404A	R507	R407C		R410A	R744
R7-220-M-R12	●				●	●	●						9886410
R7-320-M-R12	●				●	●	●						9886411
R7-220-DS-R12	●		●		●	●	●						9886414
R7-320-DS-R12	●		●		●	●	●						9886415
R7-220-M-R134a	●						●	●	●				9886418
R7-320-M-R134a	●						●	●	●				9886419
R7-220-DS-R134a	●		●				●	●	●				9886422
R7-320-DS-R134a	●		●				●	●	●				9886423
R7-220-M-R407C	●						●	●		●			9884090
R7-320-M-R407C	●						●	●		●			9884091

21.07.2010

REFCO Manufacturing Ltd.
 Industriestrasse 11
 CH - 6285 Hitzkirch

Telefon + 41 41 919 72 82
 Telefax + 41 41 919 72 83
 info@refco.ch www.refco.ch

HVAC/R
 Service Products