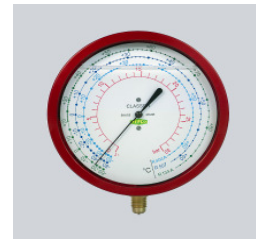




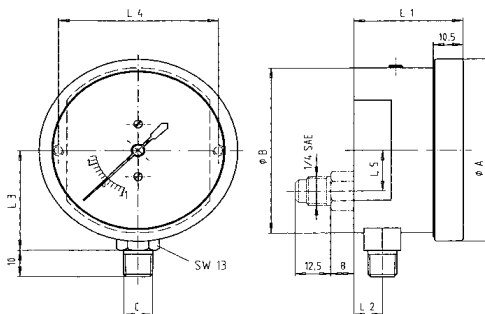
R3/5/7 Gauges

Bellow type gauges

A metal bellow type gauge is very sensitive and therefore much more accurate than a standard bourdon type gauge. The main benefit of a bellow type gauge is that it is extremely accurate and highly over-pressure resistant. The bellow type gauge is accurate within 1% around the gauge face and can withstand up to 2.5 times over-pressurization of the printed pressure scale without damage to the gauge. A bourdon tube gauge cannot withstand this type of over-pressurization.



| Features | R3 | R5 | R7 |
|------------------|-----------------|-----------------|------------------|
| Outside diameter | 60 mm | 80 mm | 100 mm |
| Connection | bottom, 1/8"NPT | bottom, 1/8"NPT | bottom, 1/4" SAE |
| Class | 1 | 1 | 1 |
| Housing | Aluminium | Aluminium | Aluminium |



| Typ | φ A | φ B | C | L 1 | L 2 | L 3 | L 4 | L 5 |
|-------|-------|-----|--------------------|------|------|-----|-----|------|
| R2+R3 | 69,5 | 63 | 1/8 NPT 1/4 SAE | 38,5 | 10 | 38 | 56 | 15,5 |
| R4+R5 | 90 | 83 | 1/8 NPT 1/4 SAE | 39 | 10,5 | 48 | 70 | 15,5 |
| R6+R7 | 112,5 | 105 | 1/4 SAE | 39 | 10,5 | 59 | 90 | 15,5 |

| Designation | Pressure scale | | | Temperature scale °C | | | | | | | | Part No. | |
|---------------------|----------------|-----|-----|----------------------|-----|------|-------|-------|------|-------|-------|----------|---------|
| | bar | kPa | psi | R12 | R22 | R502 | R134a | R404A | R507 | R407C | R410A | | R744 |
| R3-220-M-R12 | ● | | | ● | ● | ● | | | | | | | 9886351 |
| R3-320-M-R12 | ● | | | ● | ● | ● | | | | | | | 9886352 |
| R3-220-DS-R12 | ● | | ● | ● | ● | ● | | | | | | | 9886355 |
| R3-320-DS-R12 | ● | | ● | ● | ● | ● | | | | | | | 9886356 |
| R3-220-KPA-R12 | | ● | ● | ● | ● | ● | | | | | | | 9886424 |
| R3-320-KPA-R12 | | ● | ● | ● | ● | ● | | | | | | | 9886425 |
| R3-220-M-R134a | ● | | | | | | ● | ● | ● | | | | 9886359 |
| R3-320-M-R134a | ● | | | | | | ● | ● | ● | | | | 9886360 |
| R3-220-DS-R134a | ● | | ● | | | | ● | ● | ● | | | | 9886365 |
| R3-320-DS-R134a | ● | | ● | | | | ● | ● | ● | | | | 9886366 |
| R3-220-DS-R22 | ● | | ● | | ● | | ● | ● | | | | | 4458843 |
| R3-320-DS-R22 | ● | | ● | | ● | | ● | ● | | | | | 4459025 |
| R3-220-KPA-R22 | | ● | ● | | ● | | ● | ● | | | | | 9884531 |
| R3-320-KPA-R22 | | ● | ● | | ● | | ● | ● | | | | | 9884532 |
| R3-220-M-R407C | ● | | | | | | ● | ● | | ● | | | 4409940 |
| R3-320-M-R407C | ● | | | | | | ● | ● | | ● | | | 4409958 |
| R3-220-DS-R407C | ● | | ● | | | | ● | ● | | ● | | | 4490496 |
| R3-320-DS-R407C | ● | | ● | | | | ● | ● | | ● | | | 4490500 |
| R3-220-DS-R410A | ● | | ● | | | | | | | | ● | | 4457049 |
| R3-320-DS-R410A | ● | | ● | | | | | | | | ● | | 4457057 |
| R3-220-DS-CLIM | ● | | ● | | ● | | | | ● | ● | | | 4664341 |
| R3-320-DS-CLIM | ● | | ● | | ● | | | | ● | ● | | | 4664359 |
| R3-220-DS-CO2-30BAR | ● | | ● | | | | | | | | | ● | 4682667 |
| R3-320-DS-CO2-60BAR | ● | | ● | | | | | | | | | ● | 4682676 |



| Designation | Pressure scale | | | Temperature scale °C | | | | | | | Part No. | | |
|---------------------|----------------|-----|-----|----------------------|-----|------|-------|-------|------|-------|----------|-------|---------|
| | bar | kPa | psi | R12 | R22 | R502 | R134a | R404A | R507 | R407C | | R410A | R744 |
| R5-220-M-R12 | ● | | | ● | ● | ● | | | | | | | 9886367 |
| R5-320-M-R12 | ● | | | ● | ● | ● | | | | | | | 9886368 |
| R5-220-DS-R12 | ● | | ● | ● | ● | ● | | | | | | | 9886369 |
| R5-320-DS-R12 | ● | | ● | ● | ● | ● | | | | | | | 9886370 |
| R5-220-KPA-R12 | | ● | ● | ● | ● | ● | | | | | | | 9886474 |
| R5-320-KPA-R12 | | ● | ● | ● | ● | ● | | | | | | | 9886475 |
| R5-220-M-R134a | ● | | | | | | ● | ● | ● | | | | 9886371 |
| R5-320-M-R134a | ● | | | | | | ● | ● | ● | | | | 9886372 |
| R5-220-DS-R134a | ● | | ● | | | | ● | ● | ● | | | | 9883636 |
| R5-320-DS-R134a | ● | | ● | | | | ● | ● | ● | | | | 9883635 |
| R5-220-DS-R22 | ● | | ● | | ● | | ● | ● | | | | | 4490054 |
| R5-320-DS-R22 | ● | | ● | | ● | | ● | ● | | | | | 4490062 |
| R5-220-M-R407C | ● | | | | | | ● | ● | | ● | | | 9886451 |
| R5-320-M-R407C | ● | | | | | | ● | ● | | ● | | | 9886452 |
| R5-220-DS-R407C | ● | | ● | | | | ● | ● | | ● | | | 9884598 |
| R5-320-DS-R407C | ● | | ● | | | | ● | ● | | ● | | | 9884599 |
| R5-220-M-R410A | ● | | | | | | | | | | ● | | 9884918 |
| R5-320-M-R410A | ● | | | | | | | | | | ● | | 9884919 |
| R5-220-DS-R410A | ● | | ● | | | | | | | | ● | | 4505841 |
| R5-320-DS-R410A | ● | | ● | | | | | | | | ● | | 4505850 |
| R5-220-DS-CLIM | ● | | ● | | ● | | | | | ● | ● | | 4664295 |
| R5-320-DS-CLIM | ● | | ● | | ● | | | | | ● | ● | | 4664302 |
| R5-220-DS-CO2-30BAR | ● | | ● | | | | | | | | | ● | 4666297 |
| R5-320-DS-CO2-60BAR | ● | | ● | | | | | | | | | ● | 4679195 |

| Designation | Pressure scale | | | Temperature scale °C | | | | | | | Part No. | | |
|-----------------|----------------|-----|-----|----------------------|-----|------|-------|-------|------|-------|----------|-------|---------|
| | bar | kPa | psi | R12 | R22 | R502 | R134a | R404A | R507 | R407C | | R410A | R744 |
| R7-220-M-R12 | ● | | | | ● | ● | ● | | | | | | 9886410 |
| R7-320-M-R12 | ● | | | | ● | ● | ● | | | | | | 9886411 |
| R7-220-DS-R12 | ● | | ● | | ● | ● | ● | | | | | | 9886414 |
| R7-320-DS-R12 | ● | | ● | | ● | ● | ● | | | | | | 9886415 |
| R7-220-M-R134a | ● | | | | | | ● | ● | ● | | | | 9886418 |
| R7-320-M-R134a | ● | | | | | | ● | ● | ● | | | | 9886419 |
| R7-220-DS-R134a | ● | | ● | | | | ● | ● | ● | | | | 9886422 |
| R7-320-DS-R134a | ● | | ● | | | | ● | ● | ● | | | | 9886423 |
| R7-220-M-R407C | ● | | | | | | ● | ● | | ● | | | 9884090 |
| R7-320-M-R407C | ● | | | | | | ● | ● | | ● | | | 9884091 |

21.07.2010

REFCO Manufacturing Ltd.
 Industriestrasse 11
 CH - 6285 Hitzkirch

Telefon + 41 41 919 72 82
 Telefax + 41 41 919 72 83
 info@refco.ch www.refco.ch

HVAC/R
 Service Products