

Multi bender kit **Instruction**

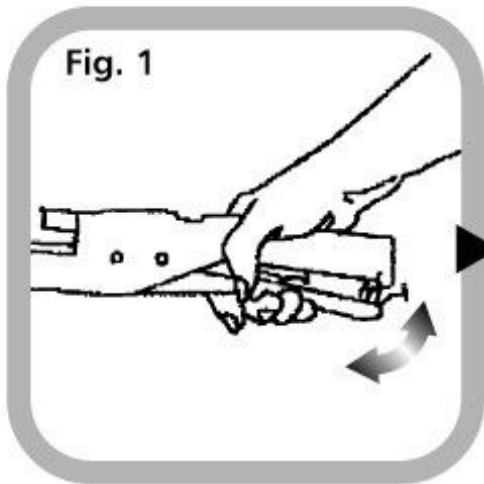


Fig. 1

* Eject the handle.

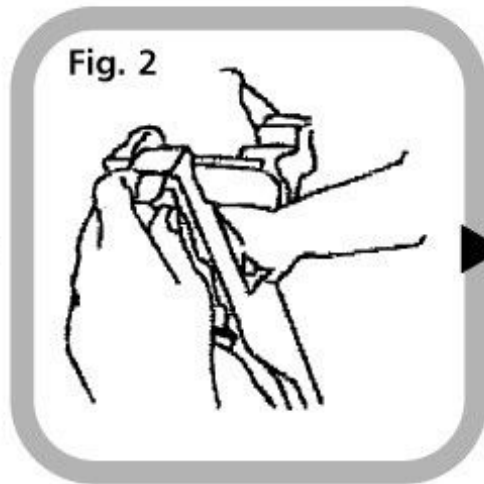


Fig. 2

* Select the size of the bar.
(Long: 3/4"~7/8")
(Short: 1/4"~5/8")

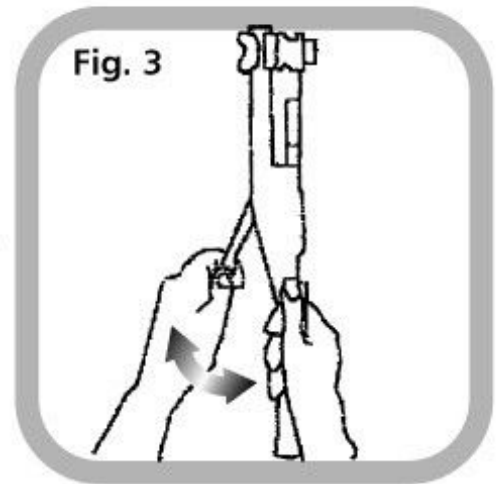


Fig. 3

* Turn out the handle to push the shark teeth to the end.

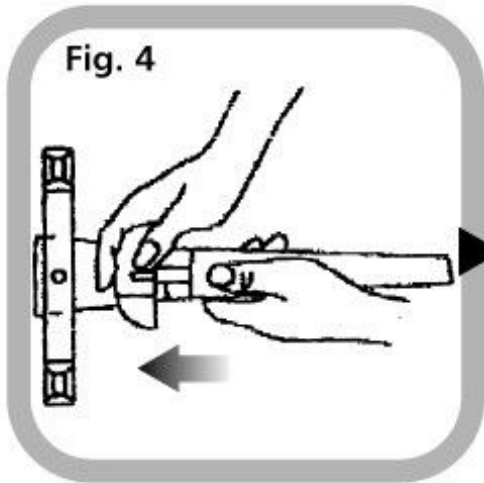


Fig. 4

* Select the size required of demi-compass (1/4", 4/16", 3/8", 1/2", 5/8", 3/4", or 7/8"), and then install the shark teeth.

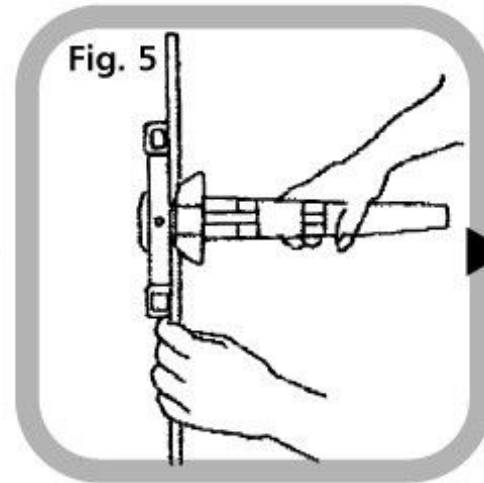


Fig. 5

* Put in the tube with the same direction of the bar, and move the demi-compass to the right angle, then turn down the handle to eject the demi-compass.

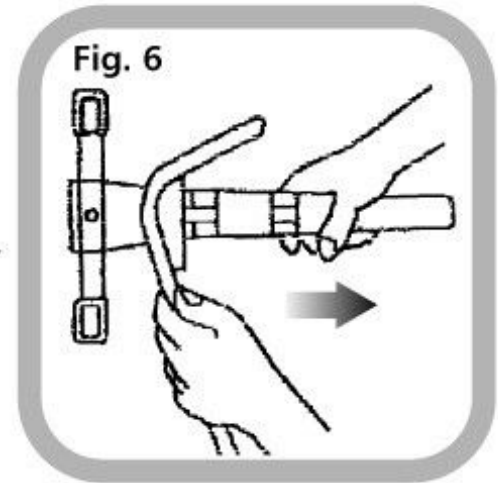
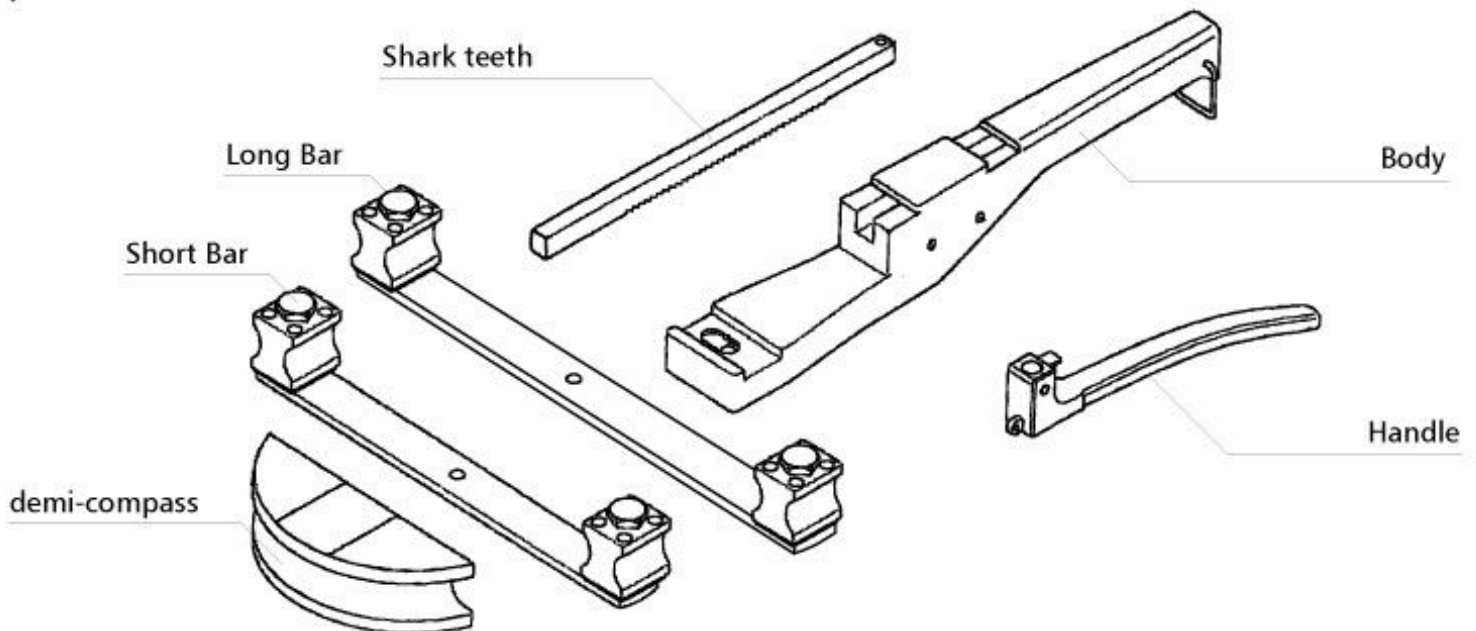


Fig. 6

* Finally remove the tube.

Optional **Parts**



(1/4", 4/16", 3/8", 1/2", 5/8", 3/4", or 7/8")